

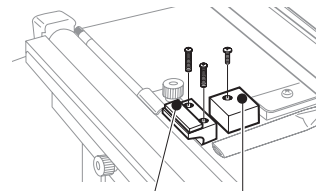
9-3 For FEP-V-N1



FEP-V-N1 is the printer only for V-402 / VG-602, 402 series.

(FEP-N1 and FEP-OS-N1 cannot be installed on V-402 / VG-602, 420 series.)

- 1 Attach the FEP-V type contact bracket and adjustment axis bracket to the sealer by securing screws.



FEP-V type contact bracket

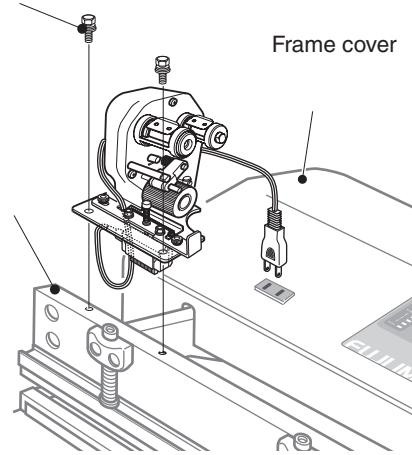
Adjustment axis bracket

- 2 Fix the printer base on the seal bar by frame mounting bolt (M6 : 2pcs) as indicated in the right illustration.

Insert the power cord plug (black) into the outlet located on the sealer's frame cover.

Frame mounting bolt

Frame cover



When install FEP-V-N1 on VG-602, 402 series



Please do not move the left-hand side nozzle. It is adjusted so that it may not interfere the printing operation of FEP-V-N1 at the shipment.

